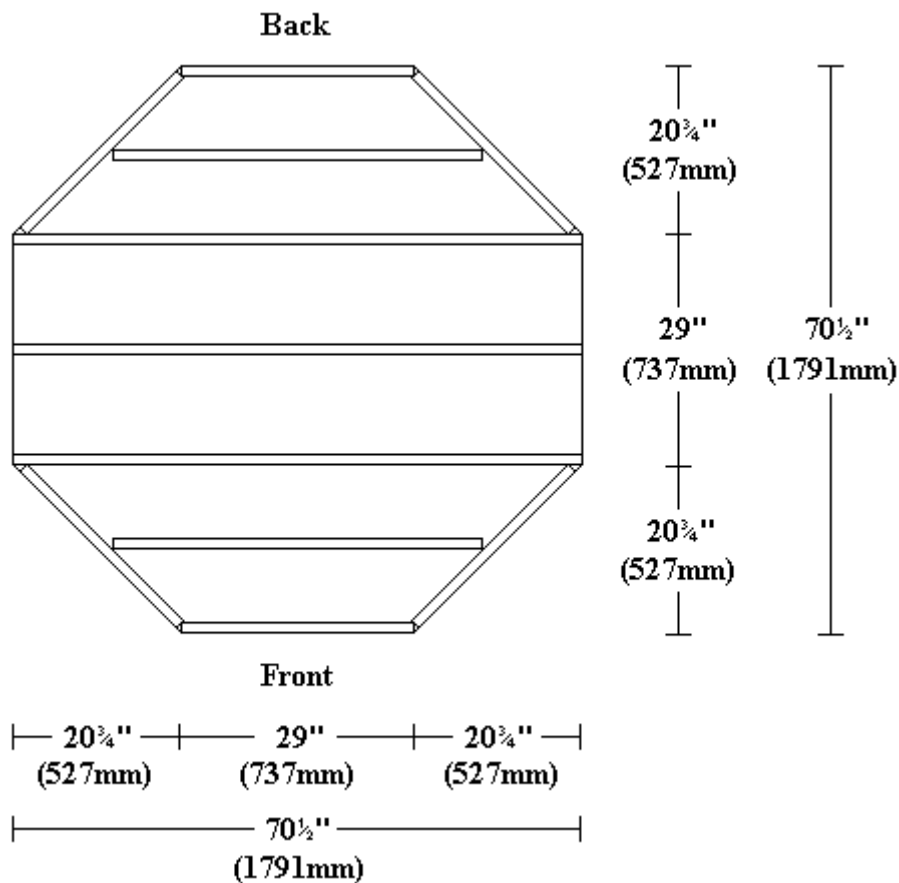




IMPORTANT: Please note that the Hopton requires a patio slab, concrete or timber decking foundation. It is essential that the base is completely level in all directions, otherwise windows and doors may not operate correctly. A minimum clearance of 18" (456mm) must be available ALL around the building for installation purposes.

1.83m x 1.83m (6' x 6') Hopton



NB:- Floor joists run side to side.